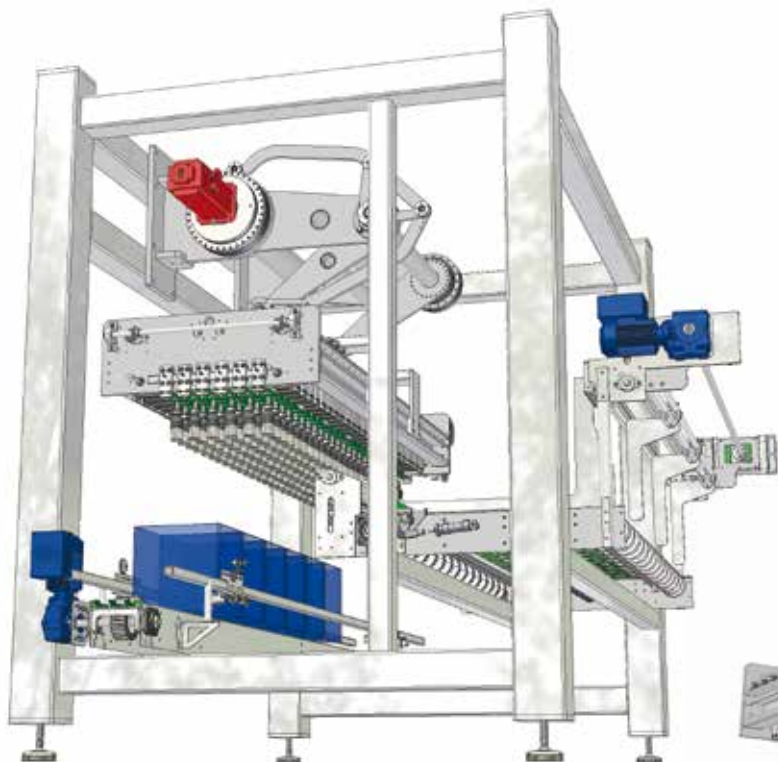


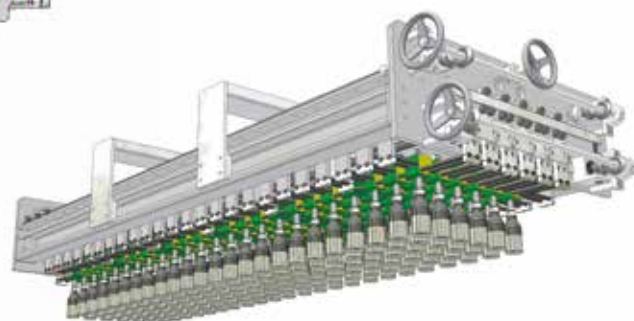
ROBO UNIVERSAL – THE ALL-ROUNDER

For all bottles, crates and cartons –
individual, flexible, well-conceived



ROBO Universal - Unpacking-/Packingmaschine

Only the ROBO
Universal can do this:
600 KG TOP LOAD
+ 500 CYCLES



Universal head with long-term bottle grippers

Your benefits:

Robot arm:

- + **Simple construction method,** wide and designed to be enormously powerful
- + **Robust transmission**
- + **No linear tracks, belts or ball screws**
- + **Stainless steel arms**
- + **Maintenance-free**
- + **Simple repair** as design is open on all sides

Baffle plates and paddle:

- + **Simple, robust, low-wear design** of the baffle plate
- + **Manual adjustment via a scale or motorised**
- + **Adjustment units can be installed on request**
- + **Differentiated paddles for the pressureless bottle table, can be integrated in automatic adjustment**

Universal head:

- + **Laser-secured long-term bottle grippers** for bottle diameters from 56 to 92 mm
- + **Can be converted quickly** automatically or manually
- + **Stainless steel roller guide**
- + **High quality plastics** guarantee abrasion resistance, resilience and gliding behaviour
- + **High-quality, durable drive**

ROBO UNIVERSAL – THE ALL-ROUNDER



Technical Details:

- Six bottle grippers each pack 20 to 24 bottles with 56 to 92 mm diameter in cartons or crates
- Compact design, designed in accordance with hygiene guidelines
- Accessible from all sides and thus easy to clean
- Almost maintenance-free and fast to convert
- Designed for 600 kg top load and 500 cycles, the ROBO can process up to 72 000 bottles/h

Extract from the RICO range of products, „packing“ sector:

- + Universal gripper for cartons, crates and pallets
- + Universal lane distributor (multiliner) as ballast
- + Universal centering frame
- + Universal baffle plates
- + Universal formatting place for cartons or crates
- + Mechanical universal gripping head for the adjustment of bottles by hand
- + Two-axis robot arms

Extract from the RICO range of products:

- + Swing stopper closing machine, swing stopper remover, swing stopper opener, swing stopper seal remover, swing stopper seal controller
- + Bottle grippers and gripper heads
- + Unpacking and packing machines, series and layer palletizing
- + Carton erector and closer
- + Pasteurizers, transport systems
- + and much more ...

EVERYTHING FROM A SINGLE SOURCE

Thanks to our integration into the **PÜTZ GROUP** and the resulting **synergy effects** we are able to offer you not just machines and equipment for the beverage industry, but also the appropriate testing technology.

RICO GmbH

Ferdinand-Porsche-Straße 5
73479 Ellwangen
GERMANY

Phone: +49 7961 56499-0
Fax: +49 7961 56499-300
info@rico-maschinenbau.de
www.rico-maschinenbau.de

FOR OVER 40 YEARS

we have been successfully producing complex, customer-specific individual machines and complete systems for the beverage industry.

We will get your production on the path to success.

We look forward to receiving your request!