

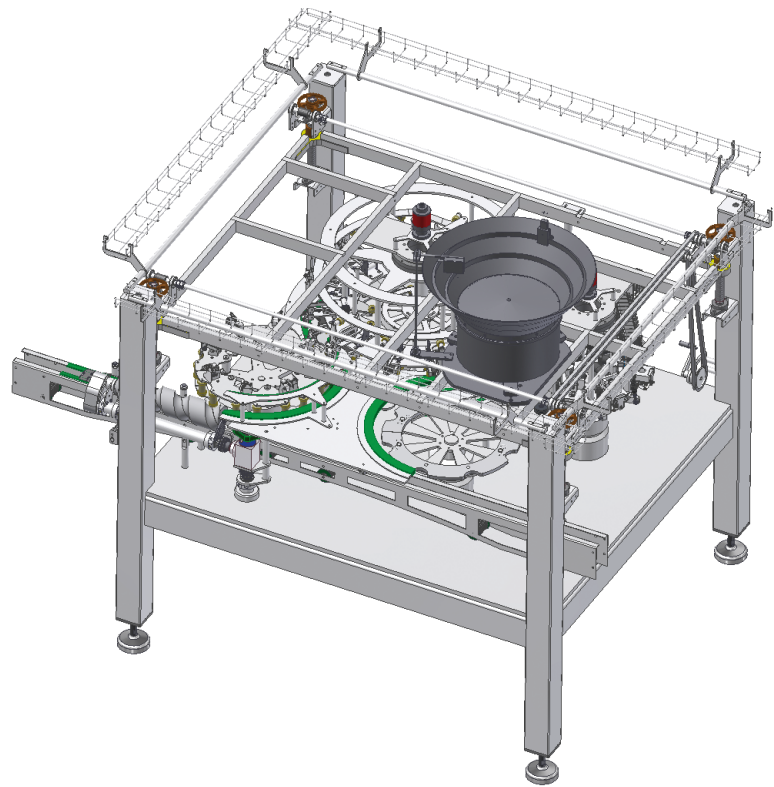
RUBBER SEAL CHANGER GW 10



Optimum swing stopper hygiene. Maximum protection against complaints.

The removal of old rubber seals as well as the simultaneous cleaning of porcelain or plastic toggles is no longer performed mechanically but with high pressure water.

The result: Contaminants are no longer spread across the toggles; there is no mechanical wear on the separation unit, no damage or wear caused by glued toggles.



Your benefits:

- + **Optimum swing stopper hygiene** and therefore maximum **protection against complaints**
- + **Compatible with our proven rubber seal inspector** detects soiled rubber seals
- + **Process-secure rubber seal placement** thanks to a new rubber seal installation unit with integrated expansion mechanism
- + **Very high rubber seal replacement rate**
- + **Convertible to different bottle formats** via a height adjustment feature
- + **Designed in line with the latest hygiene guidelines**
- + **Low maintenance costs** thanks to the wear-resistant drive concept and rubber seal removal unit

RUBBER SEAL CHANGER GW 10

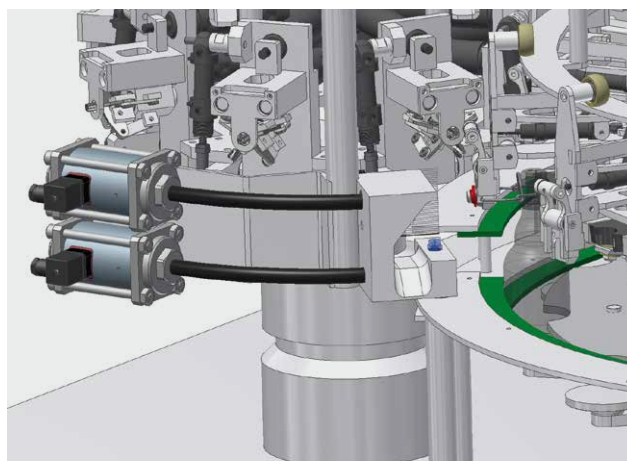


Technical details:

- 10 000 bottles / h
- Sorting head with fill-level monitoring for the rubber seals
- PLC control system
- Modern, maintenance-free transmission and drive system
- Camera technology for testing:
The removal of old rubber seals, installation of new rubber seals, toggle soiling
- Remote maintenance module via the customer's network

Optional:

- + Rejection system for the safe rejection of empty bottles while upright
- + Filling device for the sorting head
- + Production data capture



EVERYTHING FROM A SINGLE SOURCE

Thanks to our integration into the **PÜTZ GROUP** and the resulting **synergy effects** we are able to offer you not just machines and equipment for the beverage industry, but also the appropriate testing technology.

FOR OVER 50 YEARS

we have been successfully producing complex, customer-specific individual machines and complete systems for the beverage industry.

We will get your production on the path to success.

We look forward to receiving your request!

RICO GmbH

Ferdinand-Porsche-Straße 5
73479 Ellwangen
GERMANY

info@rico-maschinenbau.de

Phone: +49 7961 56499-0

Fax: +49 7961 56499-300

www.rico-maschinenbau.de