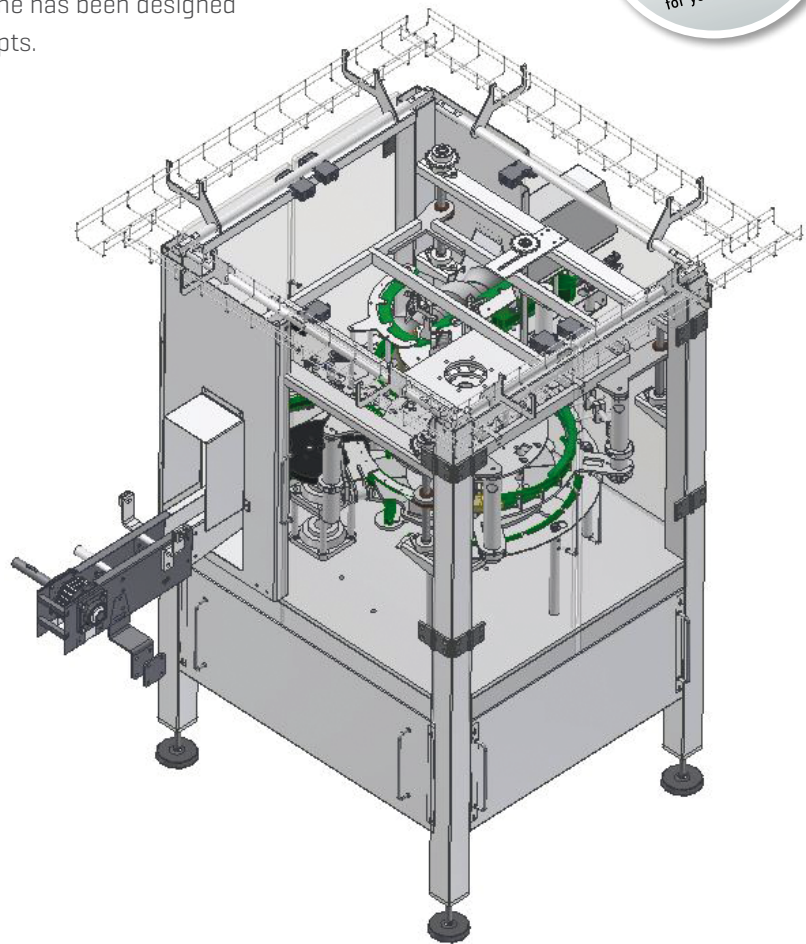


## SWING STOPPER CLOSING MACHINE BVH 3.5

### Cutting-edge hygiene technology

#### Optimum hygiene guarantee!

The BVH 3.5 swing stopper closing machine has been designed according to cutting-edge hygiene concepts.



### Your benefits:

- + It impresses with its **compact size** and **high-quality design** and can be integrated into your line even where space is limited.
- + **Our swing stopper sealer is constructed mostly from stainless steel (V2A).** Where stainless steel parts are not advantageous, parts made of wear-resistant plastic and other fit-for-purpose materials have been used.
- + The BVH 4.5 can perform an optional **swing stopper tension test**.
- + **At no time during the closure process does the swing stopper sealer come into contact with the rubber seal** – this prevents contaminations.
- + **Toggles are positioned centrally and straight** thanks to the mechanical, forced guidance of the toggles to the point where the bottles are sealed.
- + The continuous sealing operation with mechanically guided, smooth motion sequences delivers **low-wear, optimum closure performances**.

**SWING STOPPER CLOSING MACHINE BVH 3.5**



**Technical details:**

- 3 500 bottles/h
- Integrated flip-top test
- Swing-stopper-saving operation
- Designed according to cutting-edge hygiene research resulting in outstanding biological parameters
- Low energy consumption
- High-quality engines and controll components of well-known manufacturers
- Modern and maintainance-free drive systems

**Optional:**

- + Rinse and flush feature as well as a foam cleaning system
- + Integrated height adjustment feature for processing different bottle heights
- + Dynamic high-pressure injection (HPI)
- + Remote maintenance
- + Capture of production data with interface
- + Mechanical swing stopper tension test with rejection of incorrectly sealed bottles
- + HPI froth formation test
- + Logo test
- + Rubber seal test



**EVERYTHING FROM A SINGLE SOURCE**

Thanks to our integration into the **PÜTZ GROUP** and the resulting **synergy effects** we are able to offer you not just machines and equipment for the beverage industry, but also the appropriate testing technology.

**FOR OVER 50 YEARS**

we have been successfully producing complex, customer-specific individual machines and complete systems for the beverage industry.

We will get your production on the path to success.

**We look forward to receiving your request!**

**RICO GmbH**

Ferdinand-Porsche-Straße 5  
73479 Ellwangen  
GERMANY

info@rico-maschinenbau.de  
Phone: +49 7961 56499-0  
Fax: +49 7961 56499-300  
www.rico-maschinenbau.de